

# Cast-iron multiplier KMT700 series



KMT7001



KMT7002

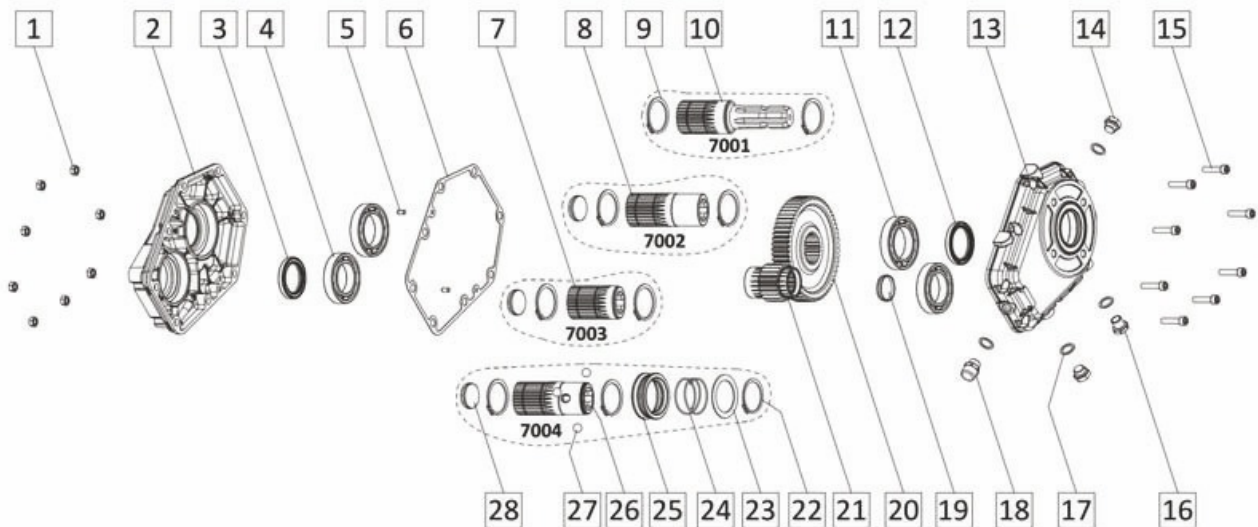


KMT7003



KMT7004

## Spare parts:



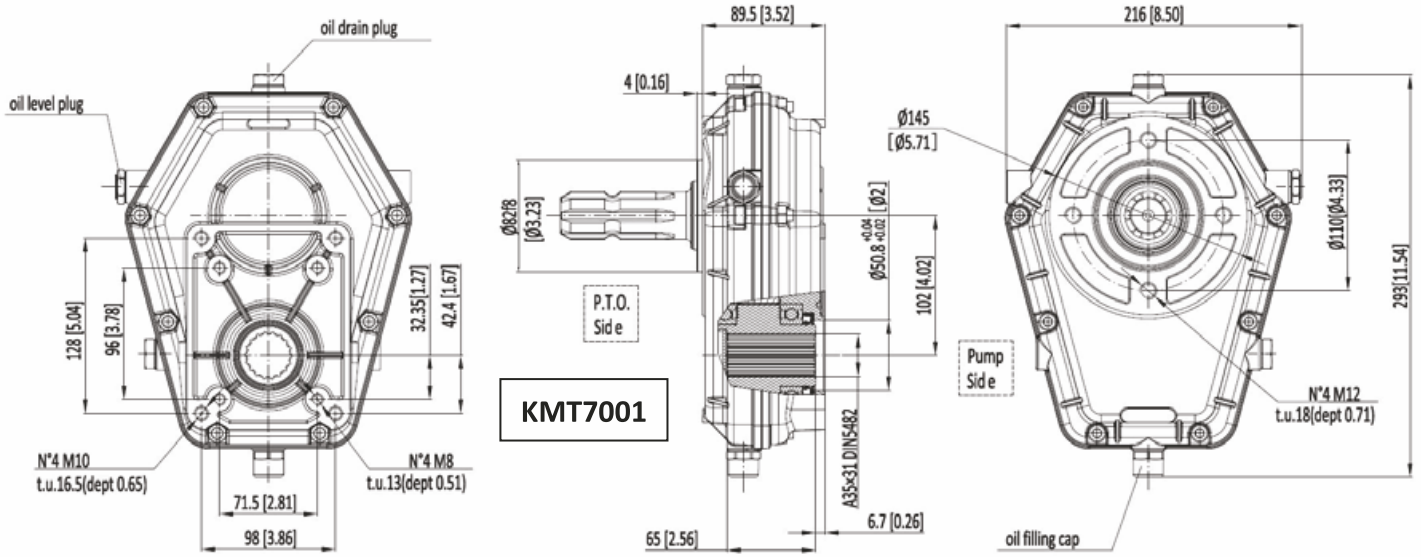
No.	Description	Quantity	No.	Description	Quantity
1	Nut M8	8	15	Socket cap screw M8 × 35	8
2	Cover	1	16	Oil level plug 3/8"	1
3	Sealing ring φ45 × 65 × 8	1	17	Gasket	4
4	Bearing type 6009	2	18	Oil filling cap 3/8"	2
5	Peg 6 × 12	2	19	Cap DIN 470 φ37	1
6	Gasket	1	20	Ring gear	1
7	Female 1 3/8" DIN 9611 short	1	21	Pinion gear	1
8	Female 1 3/8" DIN 9611 long	1	22	Snap ring UNI 7435-50	1
9	Snap ring dia.50	2	23	Ring	1
10	Male 1 3/8" DIN 9611	1	24	Spring	1
11	Bearing type 6010	2	25	Spring ring	1
12	Sealing ring φ50 × 65 × 8	1	26	Female 1 3/8" DIN 9611 + tightening	1
13	Housing	1	27	Ball	3
14	Oil drain plug 3/8"	2	28	Cap din	1

## Technical sheet:

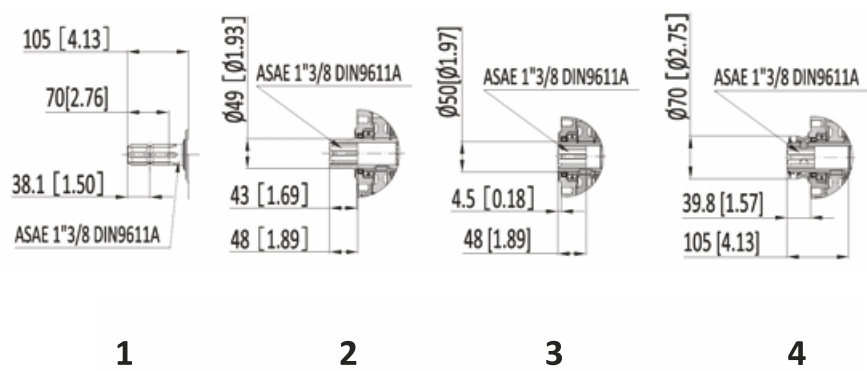
Input torque (Nm)	Output torque (Nm)	Input speed (r/min)	Transmission ratio	Output speed (r/min)	Power (Kw)	Weight (Kg)
660	440	540	1.5	810	37	16
660	330	540	2	1080	37	16
660	264	540	2.5	1350	37	16
660	220	540	3	1620	37	16
660	180	540	3.5	1836	37	16
660	166	540	3.8	2052	37	16

# Cast-iron multiplier KMT700 series

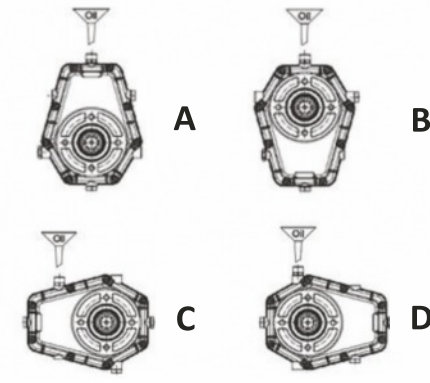
Three views:



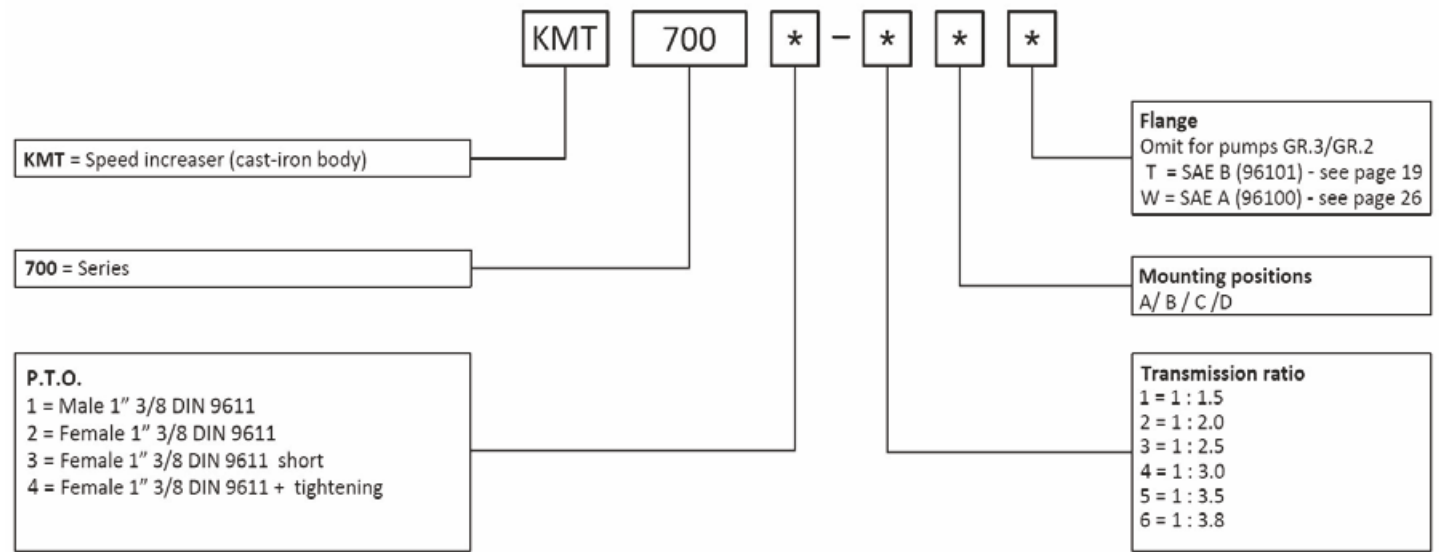
P.T.O.



Mounting positions



How to order:



For example: KMT7001-1AT